



Sélecteurs IP68

103-011-046 / 47 / 48 / 49 / 50 / 89

Caractéristiques principales:

- Contacts Ip67 (Ip68 selon vos spécifications)
- Compatibles avec nos boutons arrêts d'urgence, sélecteurs, bouton avec étiquettes.
- Résiste aux chocs
- Au lavage haute pression
- Au sel et hydrocarbures
- S'installe très facilement
- Durée de vie très longue

efa France

Z.A. La Haute Limouillère 3, rue Claude Chappe
F - 37230 Fondettes

Tel.: +33 (0) 2 47 61 78 50 // Fax: +33 (0) 2 47 61 78 51
E-Mail: efa@efa-france.com // web : www.efa-controls.com



efa Deutschland

Mollwitzstr. 2
14059 Berlin

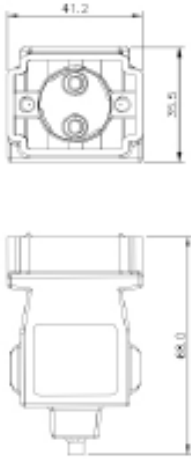
Tel.: +49 (0)30 30 111 870 // Fax: +49 (0)30 30 111 8777
e-mail: efa@efa-berlin.com // web : www.efa-industries.com

Available types		: Refer Annexure A
Degree of protection		: IP68 as per IEC 60529 : Environment 60068
Degree of Pollution		: 3
Applicable standards		Concept: UL508, IEC 60947-5-1, 60947-5-5, CSA 22.2 Application: EN50155 EMC 50121-1-2-3 Fire/Smoke: NFF 16 101 102 Shocks Vibration: EN 61373
Product Certification		CE

Mechanical Characteristics:

Function indicator		: Marking provided on rubber boot
Terminal Capacity		: NA
Terminal marking		: Markings provided on wiring terminal
Terminal Torque	Nm	: NA
Contact material	contact element	: Brass terminal, Silver plated
Operation	contact element	: Slow make/break
Operating torque	Nm	: NA
Operating force	N	: 17 (with Flush actuator) : 29 (With Mushroom actuator)
Positive operation		: All functions incorporating a NC contact are positive opening operation
Conforming to IEC/EN 60947-5-1 Appendix K		
Operating travel	contact element mm	: 5

Mechanical life	contact element	: over 2 million operations
Ambient	°C	: -30 to +70
Storage	°C	: -30 to +40

Overall Dimensions with sketch (LXBXH)	mm	
Vibration resistance	Hz	: Pending
Conforming to IEC 60068-2-6		
Shock resistance		: Pending
Conforming to IEC 60068-2-27		
Viewing Angle	°	: NA
Optical Axial intensity	mcd	: NA
Weight	gms	: 140

Electrical Characteristics of contacts:

Make & Break Capacity		AC15: 415VAC, 4A DC13: 0.5A, 110VDC As per CSA C22.2 no. 14-05, UL 508: A600, Q600												
	V	<table border="1"> <tr> <td colspan="2">AC15</td> </tr> <tr> <td>V</td> <td>24 120 230</td> </tr> <tr> <td>A</td> <td>4 3 2</td> </tr> <tr> <td colspan="2">DC13</td> </tr> <tr> <td>V</td> <td>24 110</td> </tr> <tr> <td>A</td> <td>0.5 0.2</td> </tr> </table>	AC15		V	24 120 230	A	4 3 2	DC13		V	24 110	A	0.5 0.2
AC15														
V	24 120 230													
A	4 3 2													
DC13														
V	24 110													
A	0.5 0.2													
Rated insulation voltage		: 500												
Rated thermal current	A	: 10												
Low power application		: NA												
Short circuit protection		: 10A HRC cartridge fuse, rated for resistive loading												
Dielectric Test	KV	: 2.5												
Approvals regarding the part:		: CE												
Approvals regarding the material														
Polymeric parts		: UL-Recognized material												
Rated Impulse Withstand		: NA												
Polarity protection		: NA												
Current Consumption	mA	: NA												
Electrical Endurance		: Conforming to IEC/EN 60947-5-1 Annexure C												