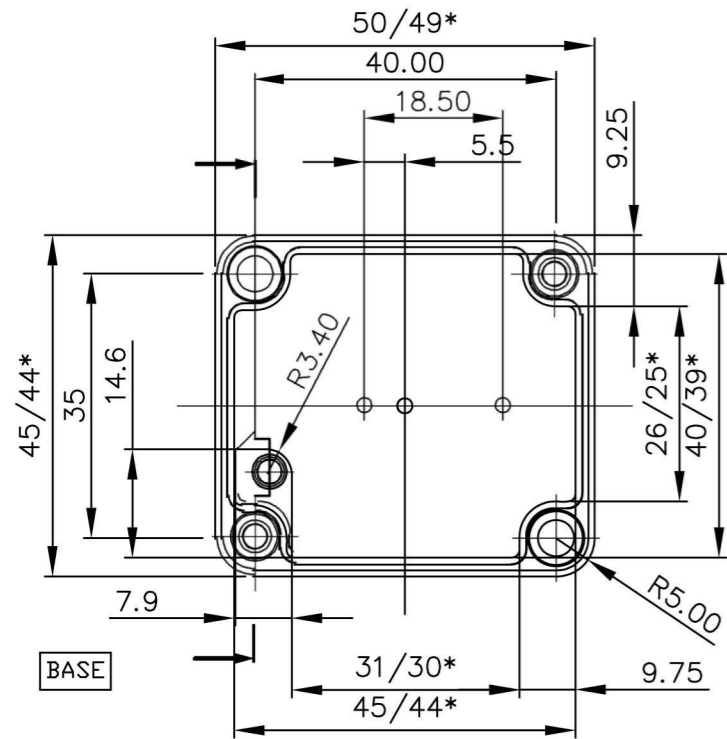
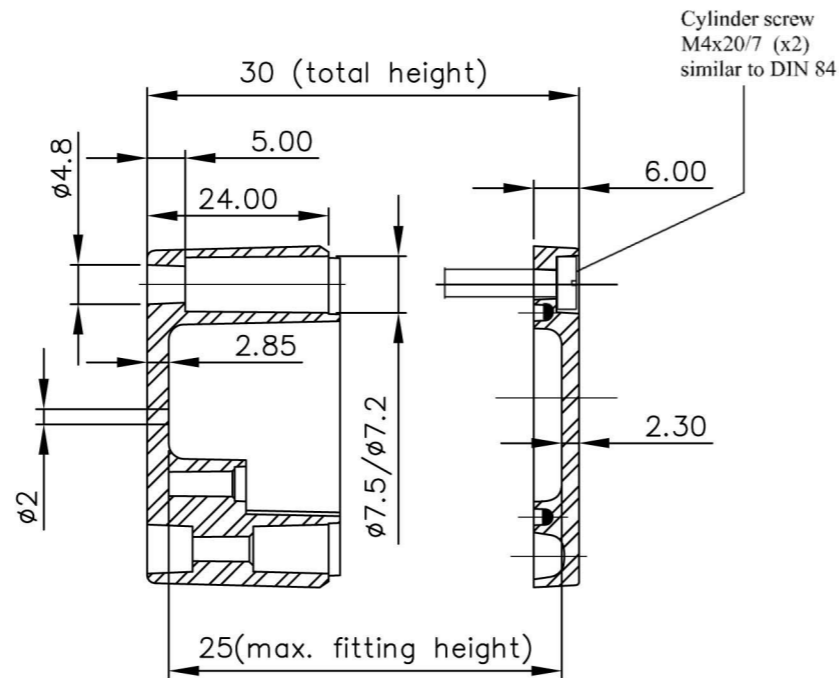
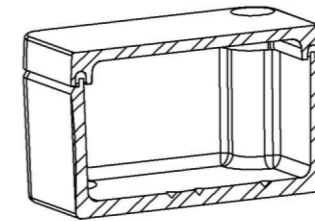
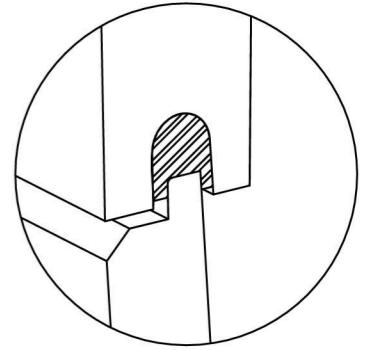
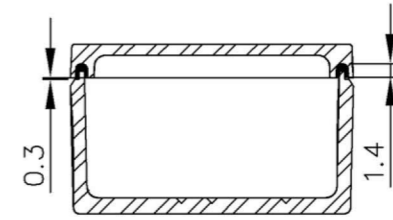
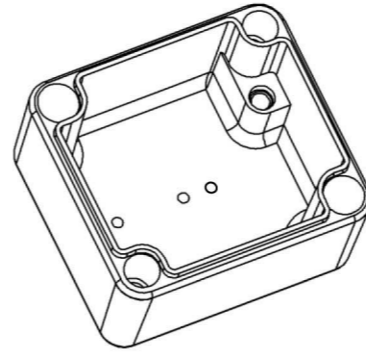
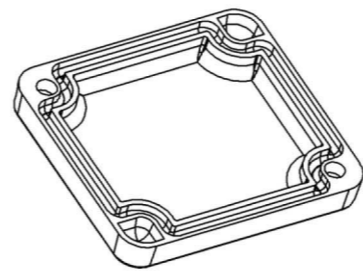


LID



BASE



\* = Conical form tapering downwards  
Free dimensions-tolerance to GTA 13/5 DIN 1688

Item Number	RAL / Colour
128-000-362	RAL3001 / red
128-000-346	RAL7001 / grey
128-000-358	RAL7005 / black
128-000-366	uncoated

ENCLOSURE/BOX MEETS THE REQUIREMENTS OF  
IS/IEC 60529:2001  
OR  
EN 60529  
FOR IP 68 SEVERITY

# efabox

TOLERANCE GTA 13/5 DIN 1688	COMPONENT ENCLOSURE/BOX	DRAWN BY	DATE
		J. Janser	21.03.2017
SCALE 1:1	ROUGHNESS	CHECKED BY	DATE
		W. Jagdmann	21.03.2017
MATERIAL ALUMINIUM	DRG.NO.	455030	
		SH.NO.	NO.OF SHEETS
	01	01	