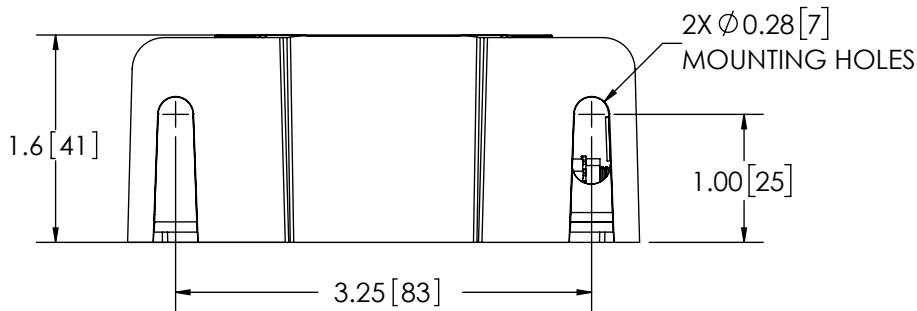
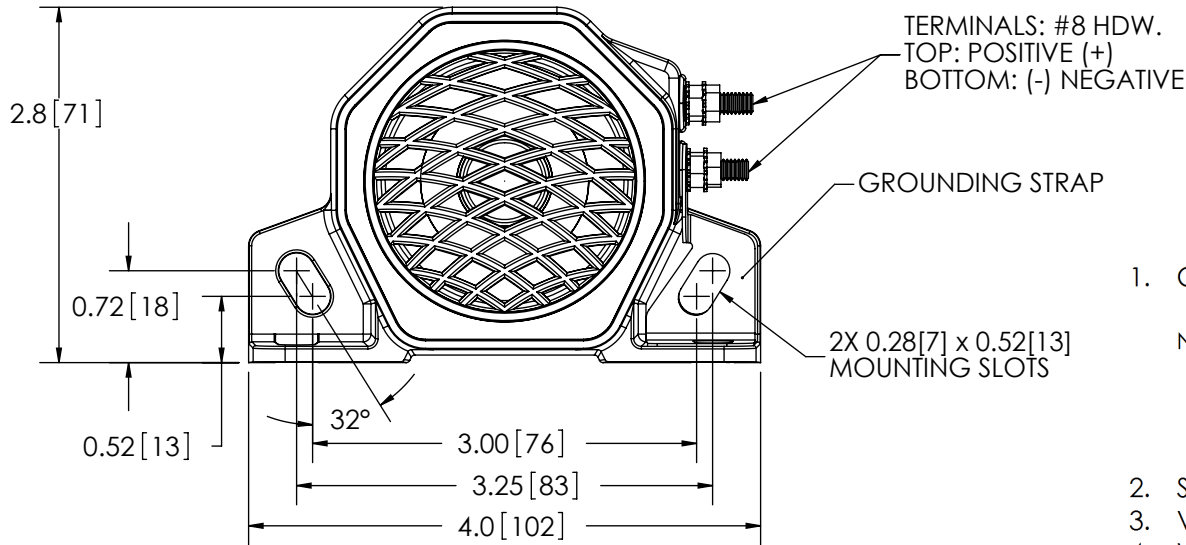


REVISION HISTORY		
REV.	DESCRIPTION	DATE
D	UPDATED DIMENSIONS PER P3 #06063	2007-09-24
E	REVISE PER P11043	2012-10-26
F	REVISE PER P11043	2016-06-23



SPECIFICATIONS

- CERTIFICATIONS: **CE**; **UL**; ECE R10; SAE J994 (AUG 1993)
TYPE F; IP-65D

Note: Unique components, accessories, and hardware kits are not typically included in the Product Certification Test Protocols. Unless otherwise Specified, the Product Certifications referred to herein are predicated upon the base product model configuration.

- SOUND PRESSURE LEVEL: 102 ± 4 dB (A) @ 1.2m (4ft)
- VOLTAGE (NOMINAL): 12 to 24 VDC
- VOLTAGE (EXTREME): 9.0 to 32.0 VDC
- CURRENT (PEAK): 1.04 A (@ 12 VDC NOMINAL)
- POWER (MAXIMUM): 14.6 W (@ 12 VDC NOMINAL)
- TEMPERATURE RANGE: -40°F (-40°C) TO 185°F (85°C)
- FREQUENCY: 960 to 1440 Hz
- CONNECTION: 8 - 32 UNI STUD CONNECTION
- RECOMMENDED MOUNTING: 1/4 - 20 UNC, GRADE 5 OR BETTER, 1/4" TYPE A, SERIES N OR W WASHER
- HOUSING MATERIAL: GLASS FILLED NYLON
- PRODUCT WEIGHT: 0.7 LBS (0.32 Kg)

- NOTES:
 1. ROHS COMPLIANT
 2. DIMENSIONS IN INCHES [MILLIMETERS (FOR REFERENCE)]

SCALE 1:1.5		APPROVALS	DATE												
CAD GENERATED DRAWING DO NOT MANUALLY UPDATE. MODEL REFERENCED: C		DRAWN BY MDH													
		CHECKED MDH													
TOLERANCES ARE IN INCHES AND MILLIMETERS TOLERANCES UNLESS OTHERWISE STATED ARE:		MECH. ENG. JLA													
		ELEC. ENG. JES													
<table border="1"> <thead> <tr> <th>MILLIMETERS DECIMALS</th> <th>INCHES DECIMALS</th> <th>ANGLES</th> </tr> </thead> <tbody> <tr> <td>XX. ± 1.0mm</td> <td>X.X ± 0.1</td> <td>± 0.5°</td> </tr> <tr> <td>XX.X ± 0.5mm</td> <td>X.XX ± 0.04</td> <th>FRACTIONS</th> </tr> <tr> <td></td> <td>X.XXX ± 0.02</td> <td>± 1/64</td> </tr> </tbody> </table>		MILLIMETERS DECIMALS	INCHES DECIMALS	ANGLES	XX. ± 1.0mm	X.X ± 0.1	± 0.5°	XX.X ± 0.5mm	X.XX ± 0.04	FRACTIONS		X.XXX ± 0.02	± 1/64	TEST ENG. JRT	
		MILLIMETERS DECIMALS	INCHES DECIMALS	ANGLES											
XX. ± 1.0mm	X.X ± 0.1	± 0.5°													
XX.X ± 0.5mm	X.XX ± 0.04	FRACTIONS													
	X.XXX ± 0.02	± 1/64													
		SALES. DMV													
NON DISCLOSURE AGREEMENT															
<small>THIS DRAWING AND THE DESIGN IT DISCLOSES ARE THE PRIVATE PROPERTY OF ESG AND IS ISSUED IN CONFIDENCE FOR ENGINEERING INFORMATION ONLY. THE DRAWING AND / OR DESIGN MAY NOT BE USED, COPIED, REPRODUCED, OR OTHERWISE DISCLOSED IN PART OR AS A WHOLE TO OUTSIDERS OR USED FOR ANY OTHER PURPOSE WITHOUT THE PRIOR WRITTEN CONSENT OF ESG. THE DRAWING IS SUBJECT TO RECALL AT ANY TIME. YOUR POSSESSION OF THIS DOCUMENT CONSTITUTES ACCEPTANCE OF THESE TERMS. © 2000 ECCO</small>		www.eccolink.com Americas (800) 635-5900 Europe +44 (0)113 237 5340 Asia Pacific +61 (0)3 63322444 ALARM, BACK-UP, 102DBA, 12-24 VDC CUSTOMER PART NO. 530 PRODUCT SERIES: 500 SIZE: A DWG. NO. 530 REV. F Electronically Controlled Use Latest Copy SHEET 1 OF 1 Project: CR# 602 Date Created: 2000-11-21													